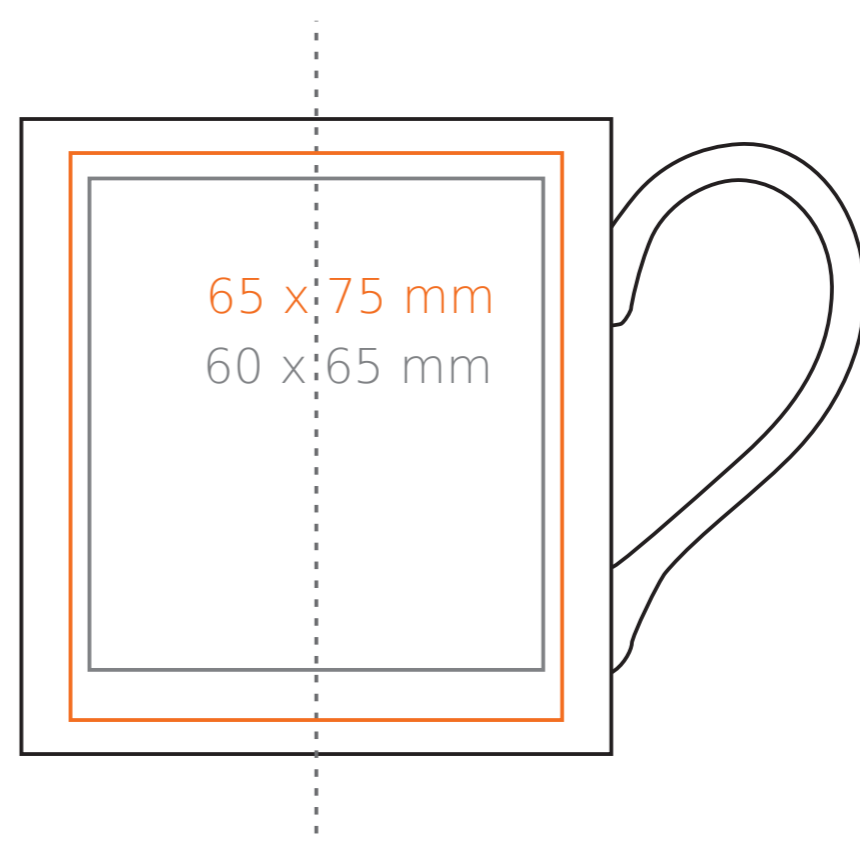
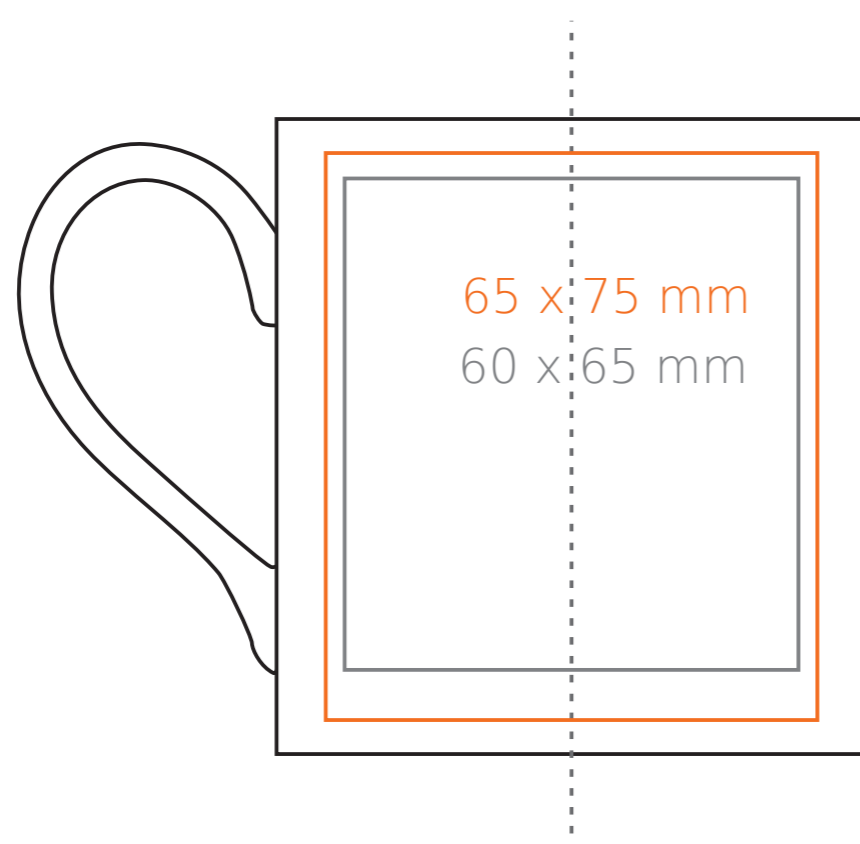
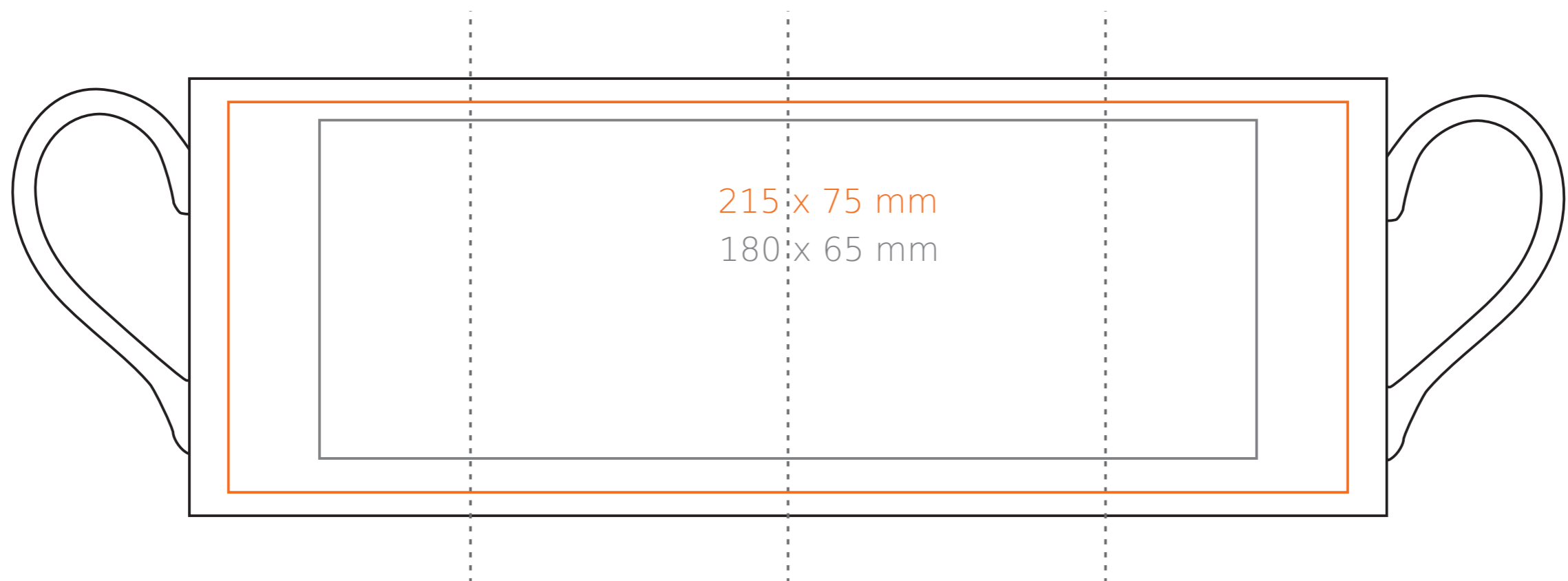


M/121 Paro

270 ml / h: 84 mm / Ø 78mm



- | | |
|-------------------------------|--------------|
| Imprint on the handle | - 70 x 8 mm |
| Imprint on the inside | - 40 x 20 mm |
| Imprint on the bottom inside | - Ø 30 mm |
| Imprint on the bottom outside | - Ø 50 mm |

*In the case of projects for transfer print running outside of the standard print area, please contact our sales department.

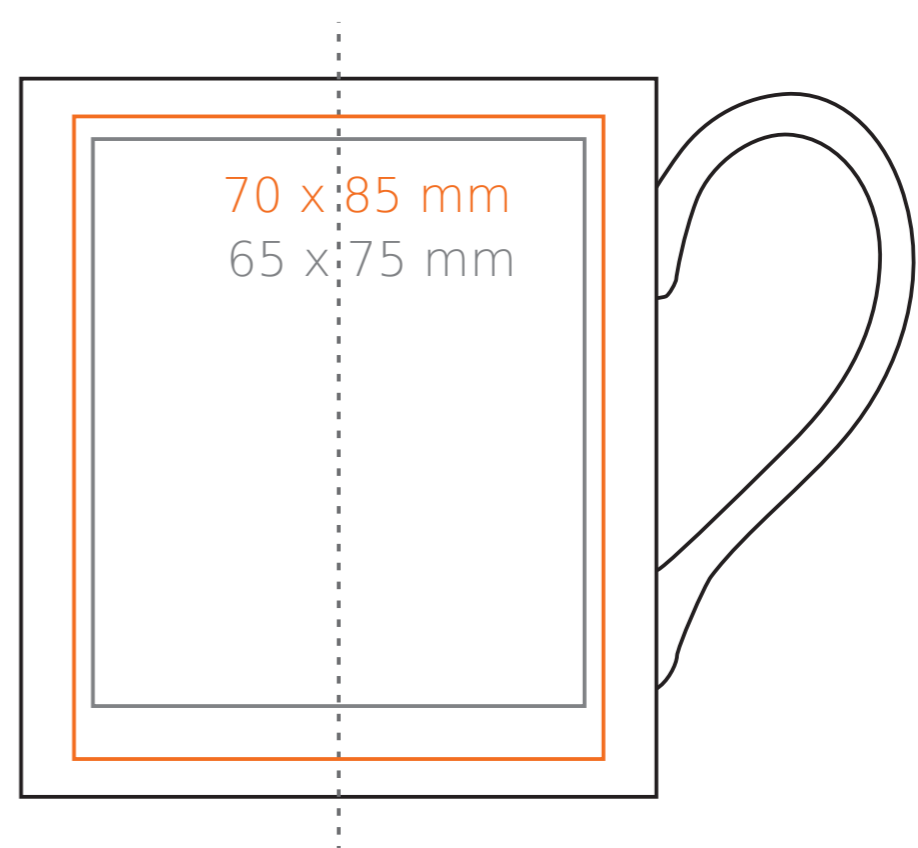
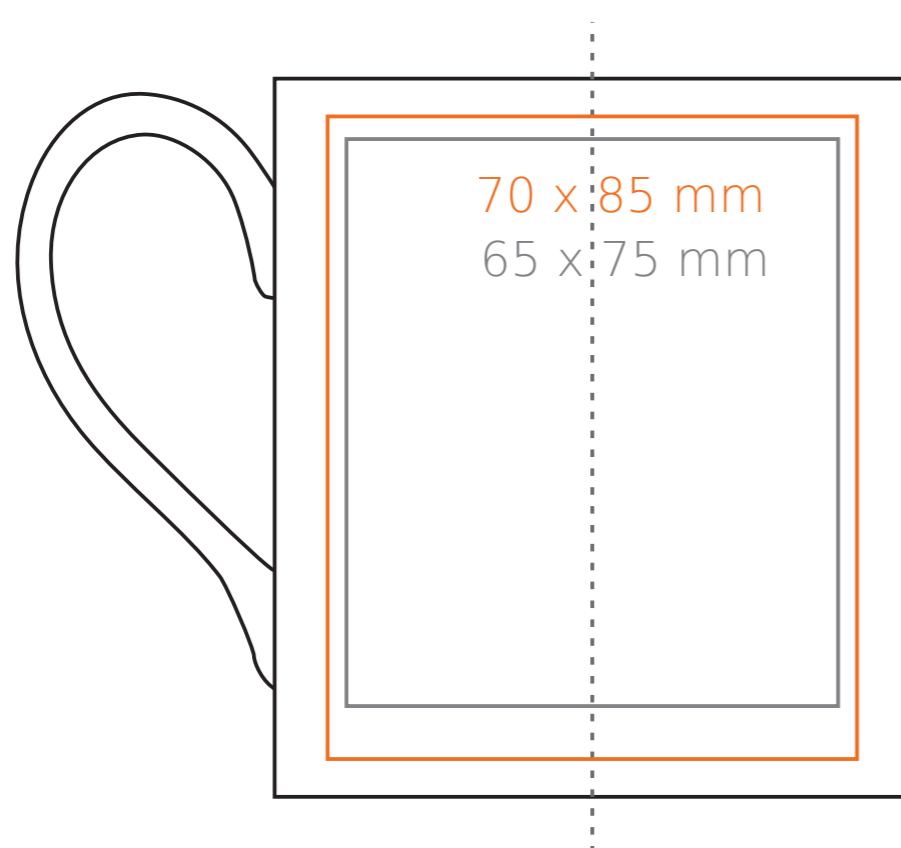
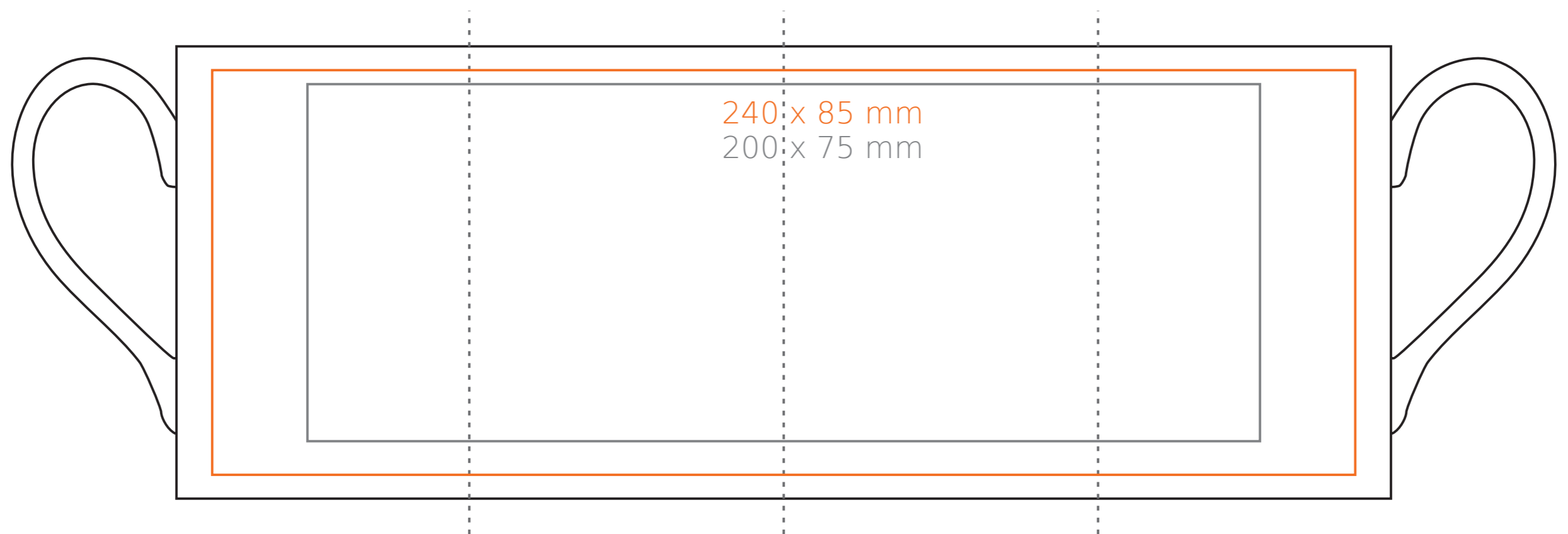
[How to prepare print material](#)

meaning

- Transfer Print
- Sensitive Touch
- Direct Print

M/121 Paro

380 ml / h: 95 mm / Ø 84mm



- | | |
|-------------------------------|--------------|
| Imprint on the handle | - 100 x 8 mm |
| Imprint on the inside | - 55 x 20 mm |
| Imprint on the bottom inside | - Ø 30 mm |
| Imprint on the bottom outside | - Ø 55 mm |

*In the case of projects for transfer print running outside of the standard print area, please contact our sales department.

[How to prepare print material](#)
[Jak należy przygotować projekty do druku](#)

meaning

- Transfer Print
- Sensitive Touch
- Direct Print