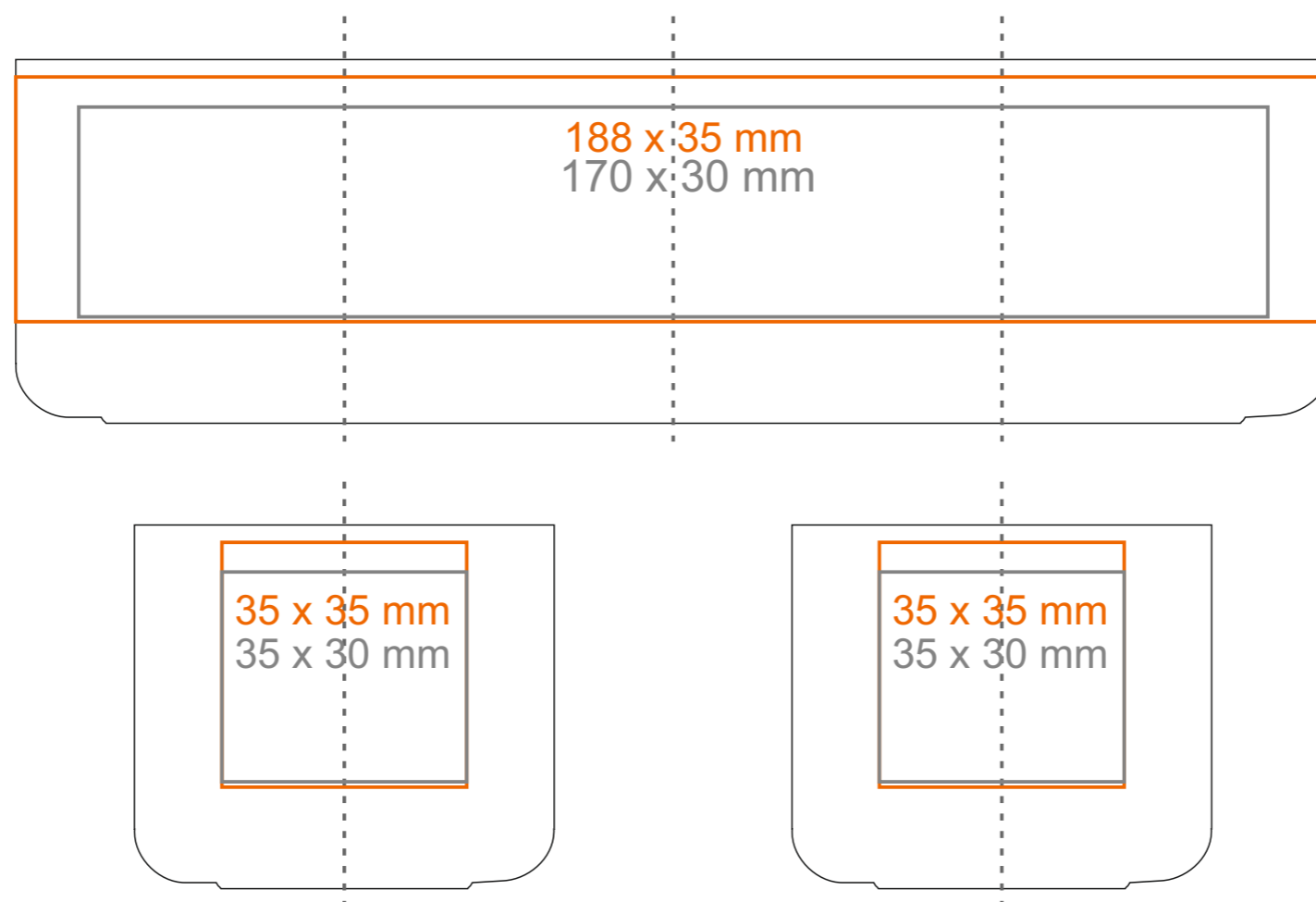


# M\_534 Osaka

80 ml / h: 52 mm / Ø 60 mm



Imprint on the inside  
Imprint on the bottom inside

- 35 x 15 mm
- Ø 30 mm

\*In the case of projects for transfer print running outside of the standard print area, please contact our sales department.

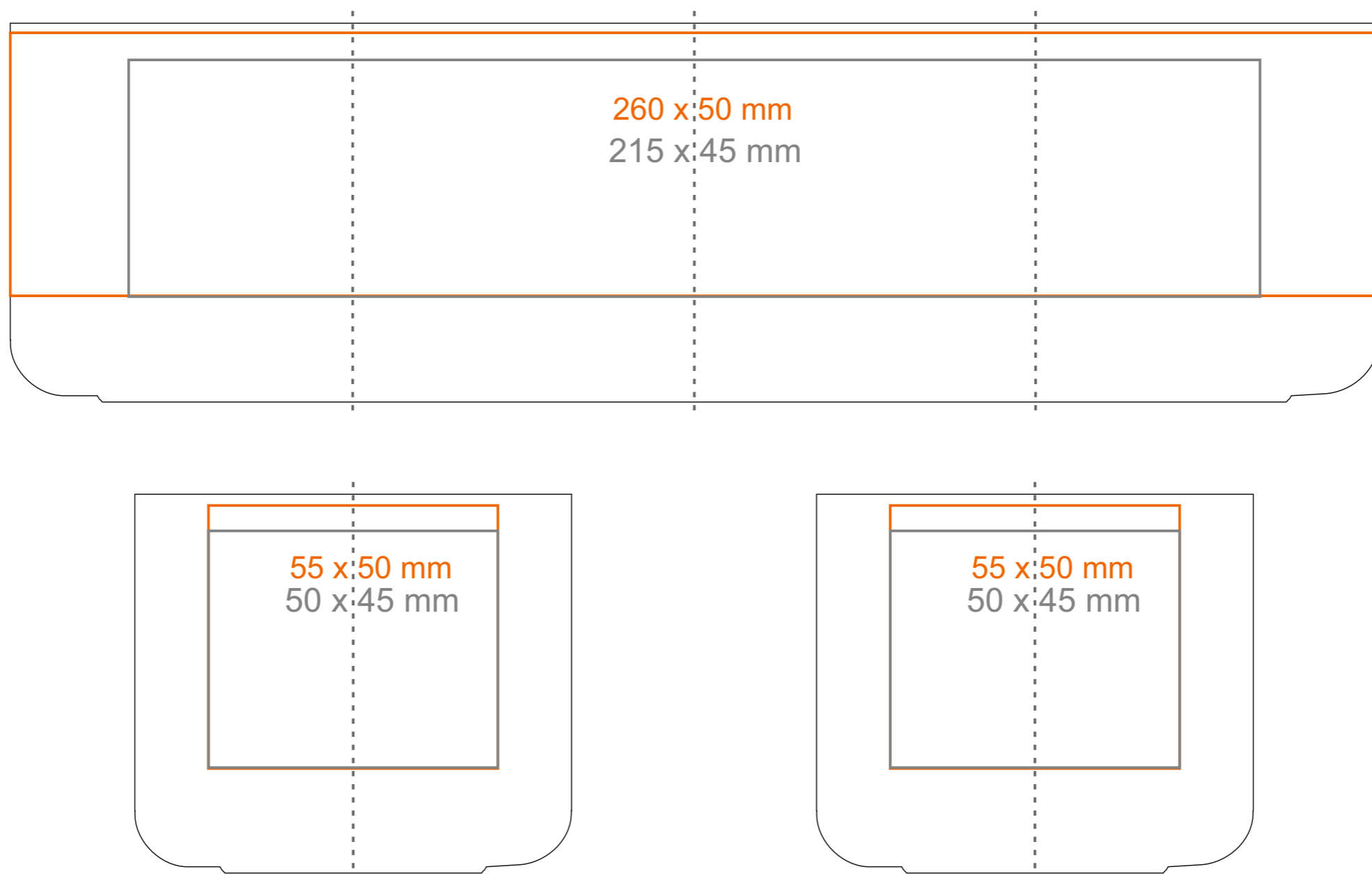
[How to prepare print material](#)

meaning

- Transfer Print
- Sensitive Touch
- Direct Print

# M\_534 Osaka

240 ml / h: 72 mm / Ø 83 mm



Imprint on the inside  
Imprint on the bottom inside  
Imprint on the bottom outside

- 45 x 20 mm
- Ø 50 mm
- Ø 20 mm

\*In the case of projects for transfer print running outside of the standard print area, please contact our sales department.

[How to prepare print material](#)

meaning

- Transfer Print
- Sensitive Touch
- Direct Print